

Micra II

Spare parts list

Parts list



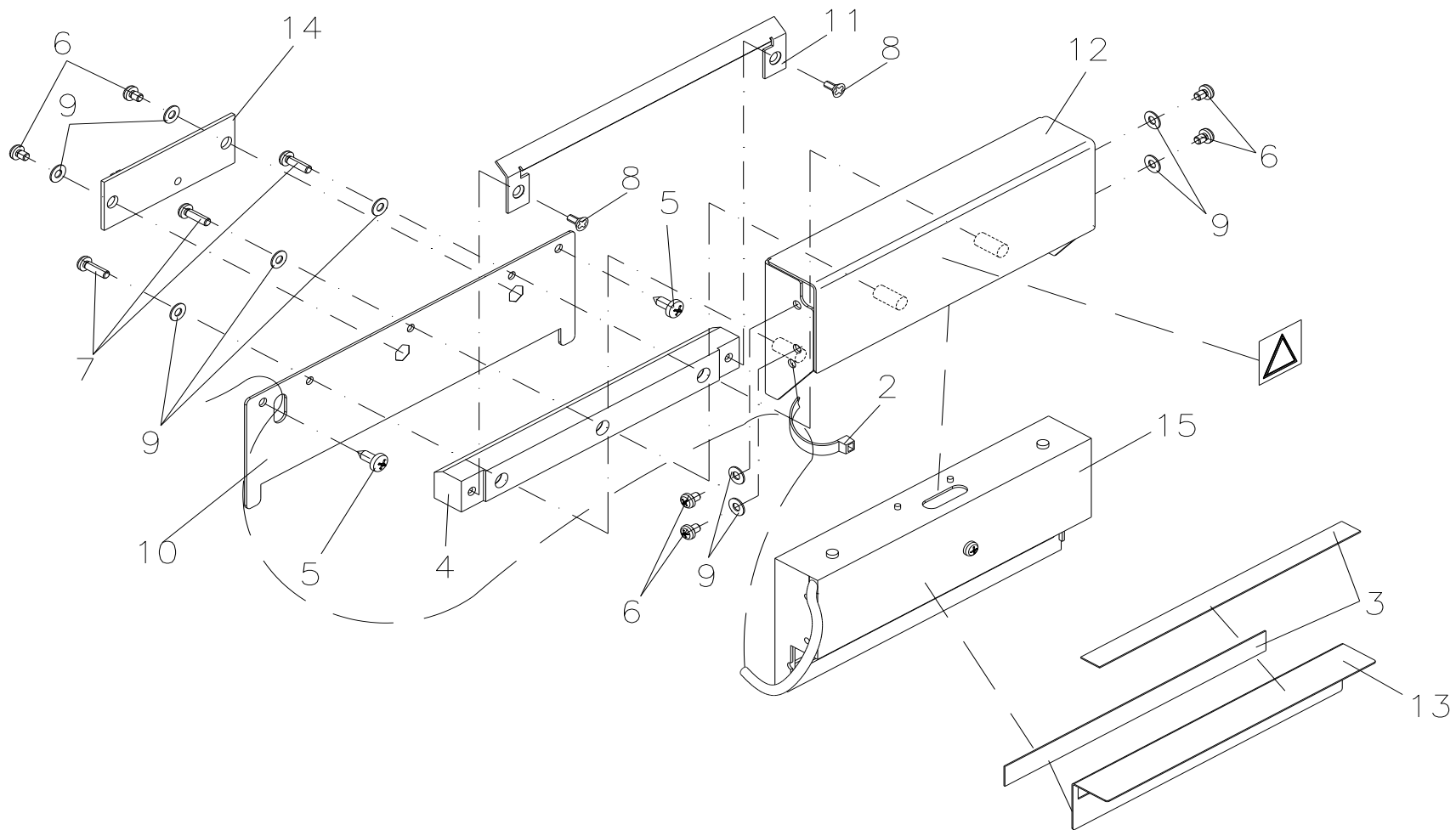
90.18.999A

Micra II various spare parts

Pos	Ident-No.	Description1	Description2	Quantity
1*	37.04.113A	Thermal printhead 106-12	Micra II	1
2*	37.04.114A	Thermal printhead 104-8	Micra II	1
3*	37.18.001A	Power unit external cpl	Micra II	1
4*	37.18.005A	Motor	Micra II	1
5*	37.18.010A	Label photocell	Micra II	1
6*	37.18.015A	Ribbon photocell	Micra II	1
7*	37.18.020A	Pressure roller	Micra II	1
8	37.18.038A			1
9*	37.18.040A	Roll core	Micra II	1
10	37.18.043A			1
11	37.18.044A			1
12	37.18.045	Ribbon rewinding/unwinding roller	Micra / Micra II	1
13	37.18.047A	Label guiding, right	Micra II	1
14	37.18.048A	Label guiding, left	Micra II	1
15	37.18.050A	Cross bar red	Micra II	1
16	37.18.052	Tear-off edge	Micra / Micra II	1
17	37.18.055	Circuit board LED & Feed, incl connection cable	Micra / Micra II	1
18	37.18.065	Switch Assembly	Micra / Micra II	1
19	37.18.070	Knob	Micra / Micra II	1
20	37.18.072	LED cover	Micra / Micra II	1
21	37.18.075A	Transmission photocell	Micra II	1
22	37.18.080A	Printhead cable 200 dpi / 300 dpi	Micra II	1
23	37.18.085A	Printhead cover	Micra II	1
24	37.18.090	Earth cable	Micra / Micra II	1
25*	37.18.095A			1

*Recommended spare part

90.18.865
Cutter unit "Guillotine"
Micra, option



Pos. 1, nicht gezeichnet.
Pos. 5 wird beigelegt.

90.18.865

Cutter unit "Guillotine"

Micra, option

Pos	Ident-No.	Description1	Description2	Quantity
1	28.18.001	Connecting cable cutter plate/CPU	Micra	1
2	35.01.002	Cable joint 100x2.5 mm		1
3	37.57.400	Adhesive tape 6 mm		0,01
4	45.18.600	Guiding	Micra	1
5	48.12.308	Pan screw 3x8 mm		2
6	48.14.304	Pan screw M3x4		6
7	48.14.310	Pan screw M3x10		3
8	48.15.206	Pan screw M2.5x6		2
9	50.01.057	Lock washer 3.2		9
10	67.18.600	MOUNTING PLATE		1
11	67.18.605	SOLE PLATE		1
12	67.18.610	Cover	Micra	1
13	67.18.615	FRONT PLATE		1
14	70.18.010	PCB cutter cpl	Micra/Vita II/Pica II/Vario III	1
15	71.18.865	Cutter unit cpl		1

*Recommended spare part

Modifications and errors excepted

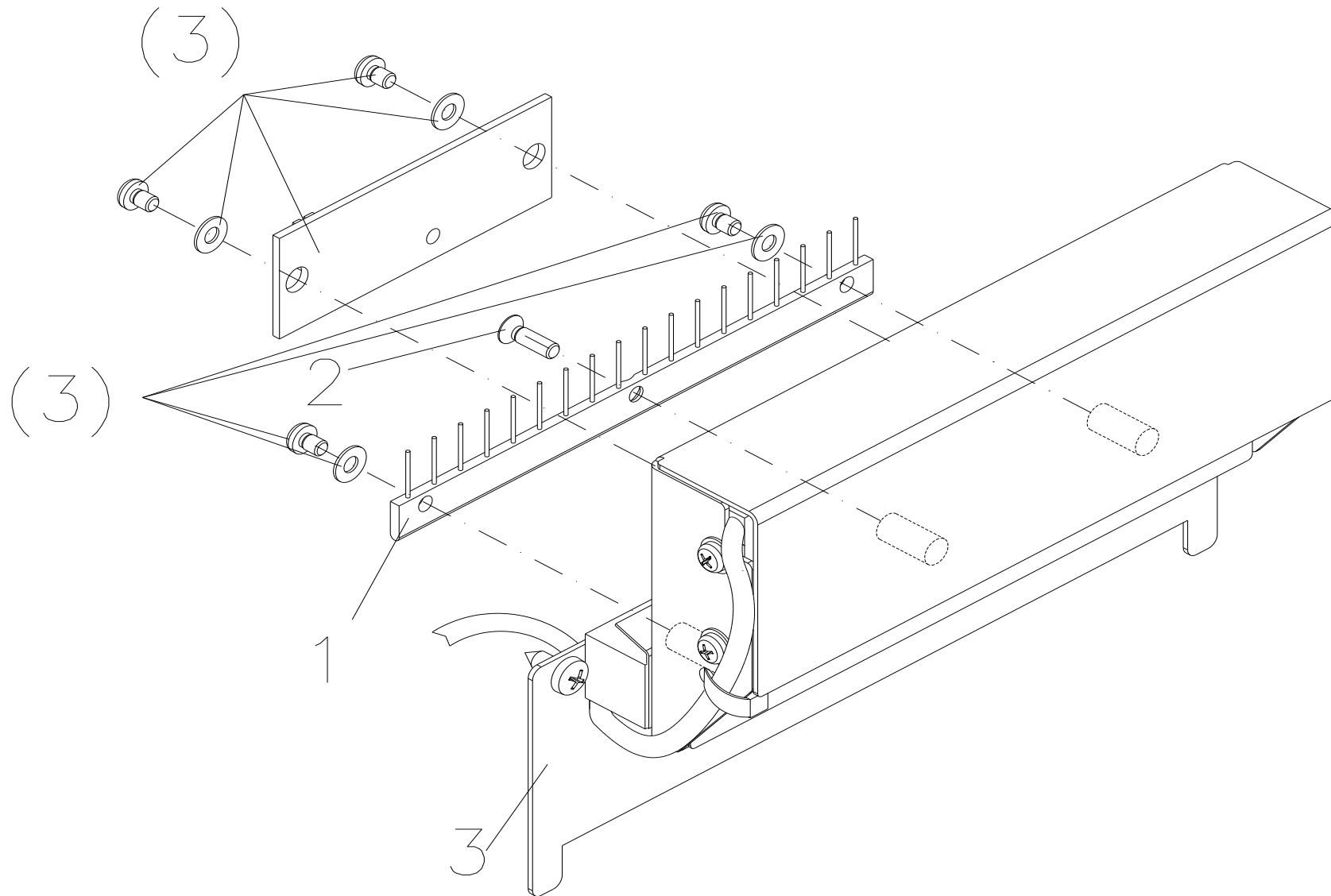
Micra II: 07.2023

4 / 6

90.18.867

Cutter unit with brush

Micra, option



90.18.867

Cutter unit with brush

Micra, option

Pos	Ident-No.	Description1	Description2	Quantity
1	37.18.610	Antistatic brush	Micra	1
2	48.15.310	Countersunk screw M3x10		1
3	90.18.865	Cutter unit "Guillotine"	Micra, option	1

*Recommended spare part

Modifications and errors excepted

Micra II: 07.2023

6 / 6