

WIPE-ON APPLICATORS

Operating Manual



Copyright by Carl Valentin GmbH / 7997315.0815

Information on the scope of delivery, appearance, performance, dimensions and weight reflect our knowledge at the time of printing.

We reserve the rights to make modifications.

All rights, including those regarding the translation, are reserved.

No part of this document may be reproduced in any form (print, photocopy or any other method) or edited, copied or distributed electronically without written permission from Carl Valentin GmbH.

Due to the constant further development of our devices discrepancies between manual and device can occur.

Please check www.carl-valentin.de for the latest update.

Due to the constant further development of our devices discrepancies between manual and device can occur.

Please check www.carl-valentin.de for the latest update.

Trademarks

All named brands or trademarks are registered brands or registered trademarks of their respective owners and may not be separately labelled. It must not be concluded from the missing labelling that it is not a registered brand or a registered trademark.

The following products are covered in this manual

WMX 5001	right side, spring mounted	ILX 5X, right version
WMX 5101	left side, spring mounted	ILX 5X, left version
WMX 5201	right side, spring mounted	ILX 8X, right version
WMX 5301	left side, spring mounted	ILX 8X, left version



Carl Valentin GmbH

Postfach 3744
78026 Villingen-Schwenningen
Neckarstraße 78 – 86 u. 94
78056 Villingen-Schwenningen

Phone +49 7720 9712-0
Fax +49 7720 9712-9901

E-Mail info@carl-valentin.de
Internet www.carl-valentin.de

Table of Contents

Table of Contents	3
1 Introduction.....	5
1.1 General Instructions	5
1.2 Intended Use	5
1.3 Safety Instructions	6
2 Product Description	7
2.1 Product Designation	7
2.2 Function	7
2.3 Overview.....	8
3 Technical Data	9
4 Installation.....	11
4.1 Unpack the Wipe-On Applicator	11
4.2 Scope of Delivery	11
4.3 Connecting the Transducer to Print system	11
4.4 Connecting the Wipe-On Applicator	12
4.5 Installing the Pressure Roller (Optional).....	13
4.6 Installing the Pressur Brush (Optional).....	13
4.7 Inserting the Label Material	14
4.8 Adjusting the Displacement Unit	15
5 Adjustments.....	17
5.1 Adjusting the Dispensing Angle.....	17
5.2 Adjusting the Pressur Roller (Optional)	19
5.3 Adjusting the Pressure Brush (Optional)	20
5.4 Adjusting the Labelling Position	21
6 Options	23
6.1 Product Sensor.....	23
7 Environmentally-Friendly Disposal	25
8 Index	27

1 Introduction

1.1 General Instructions

Important information and instructions in this document are designated as follows:



DANGER identifies an extraordinarily great and immediate danger which could lead to serious injury or even death.



WARNING identifies a possible danger would could lead to serious bodily injury or even death if sufficient precautions are not taken.



WARNING of cutting injuries. Pay attention that cutting injuries caused by blades, cutting devices or sharp-edged parts are avoided.



WARNING of hand injuries. Pay attention that hand injuries caused by closing mechanical parts of a machine/equipment are avoided.



WARNING of hot surfaces. Pay attention so as not to come into contact with hot surfaces.



CAUTION indicates a potentially dangerous situation which could lead to moderate or light bodily injury or damage to property.



NOTICE gives you tips. They make a working sequence easier or draw attention to important working processes.



Gives you tips on protecting the environment.



Handling instruction



Optional accessories, special fittings

Time

Information in the display

1.2 Intended Use

The device is a state-of-the-art device which complies with the recognized safety-related rules and regulations. Despite this, a danger to life and limb of the user or third parties could arise and the device or other property could be damaged while operating the device.

The device may only be used while in proper working order and for the intended purpose. Users must be safe, aware of potential dangers and must comply with the operating instructions. Faults, in particular those which affect safety, must be remedied immediately.

The device is intended exclusively as a peripheral unit for the print systems of ILX series to apply suitable materials that have been approved by the manufacturer. Any other or additional use is not intended. The manufacturer/supplier is not liable for damage resulting from misuse. Any misuse is at your own risk.

Intended used includes heeding the operating manual, including the maintenance recommendations/regulations specified by the manufacturer.

**NOTICE!**

The complete documentation is included in the scope of delivery on CD ROM and can also currently be found in the internet.

1.3 Safety Instructions

Couple the applicator to devices using extra low voltage only.

Before making or undoing connections, switch off all devices involved (computer, printer, accessories etc.).

Operate the applicator in a dry environment only and do not get it wet (sprayed water, mist etc.).

Do not operate the applicator in explosive atmosphere and not in proximity of high voltage power lines.

Do not operate the applicator in explosive atmosphere and not in proximity of high voltage power lines.

**WARNING!**

Danger of injury from rotating parts!

⇒ During operation, the rotating parts are freely accessible. When working on the device wear tightly fitting clothes and tie up long hair. Loosely hanging pieces or long hair can get caught in parts of the device.

Carry out only the actions described in these operating instructions. Any work beyond this may only be performed by the manufacturer or upon agreement with the manufacturer.

Unauthorized interference with electronic modules or their software can cause malfunctions.

Other unauthorized work or modifications to the device can endanger operational safety.

Always have service work done in a qualified workshop, where the personnel have the technical knowledge and tools required to do the necessary work.

There are warning stickers on the device that draw your attention to dangers. Therefore the warning stickers are not to be removed as then you and others cannot be aware of dangers and may be injured.

2 Product Description

2.1 Product Designation

Designation	Specification	Device Type
WMX 5001	right side, spring mounted	ILX 56/8, ILX 54/12, right side
WMX 5101	left side, spring mounted	ILX 56/8, ILX 54/12, left side
WMX 5201	right side, spring mounted	ILX 80/8, ILX 81/12, right version
WMX 5301	left side, spring mounted	ILX 80/8, ILX 81/12, left version

2.2 Function

The described wipe-on applicators are additional modules for the print systems of ILX series and serve the automatic application of printed labels onto a product. The application of labels is made with the so-called wipe-on procedure. Here the printed label is removed from the backing paper and taken from the dispenser of the wipe-on applicator, then rolled on the product with the pressure roller or applied on the product with the pressure brush.

The operation of print system with wipe-on applicator requires the use of an external start signal (see chapter 6.1, page 23).

2.3 Overview



NOTICE!

The figure of overview applies to wipe-on applicators
WMX 5001 / 5101 / 5201 / 5301 - right version.

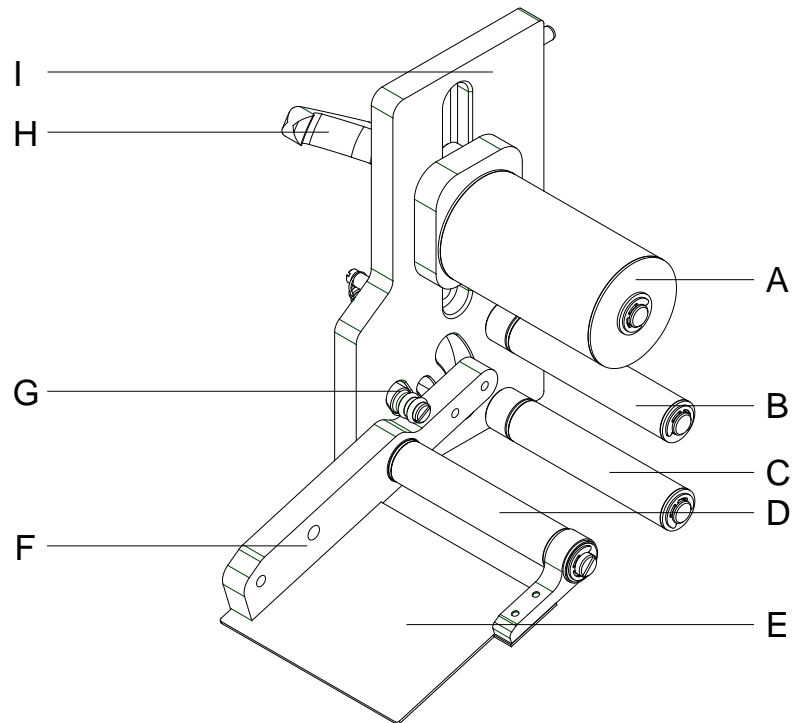


Figure 1

- A = Return pulley
- B = Return pulley
- C = Return pulley
- D = Return pulley
- E = Dispensing edge
- F = Rocker lever
- G = Stop bolt
- H = Clamping lever for return pulley
- I = Base plate

3 Technical Data

Wipe-on applicator	WMX 5001 / 5101	WMX 5201 / 5301
Print module	ILX 56/8 and ILX 54/12	ILX 80/8 and 81/12
Passage width	60 mm	90 mm
Min label width	20 mm	20 mm
Min label height	15 mm	15 mm
Max label height	130 mm	130 mm
Buffer length from printhead to dispensing edge	296.0 mm - 389.0 mm	296.0 mm - 389.0 mm
Distance bottom edge print system to labelling level	14.9 mm ¹ - 38.5 mm ²	14.9 mm ¹ - 38.5 mm ²
Weith	0.8 kg ²	1.0 kg ²

¹ The indication refers to the minimum dispensing angle

² The indication refers to the maximum dispensing angle

4 Installation

4.1 Unpack the Wipe-On Applicator

- ⇒ Lift the wipe-on applicator out of the box.
- ⇒ Check the wipe-on applicator for transport damages.
- ⇒ Check delivery for completeness.

4.2 Scope of Delivery

- Wipe-on applicator
- 2x holding shaft (length 300 mm).
- 1x mounting angle
- 4x cylinder screw M5x12
- 4x washer
- Documentation



NOTICE!

Retain original packaging for subsequent transport.

4.3 Connecting the Transducer to Print system

The use of the print system with wipe-on applicator requires the utilization of an external start signal.

E.g. the optionally available product sensor for the external start signal can be attached to the print system

For detailed information refer to chapter 6.1, page 23).

4.4 Connecting the Wipe-On Applicator



NOTICE!

The figure of overview applies to wipe-on applicators *WMX 5001 / 5101 / 5201 / 5301*.

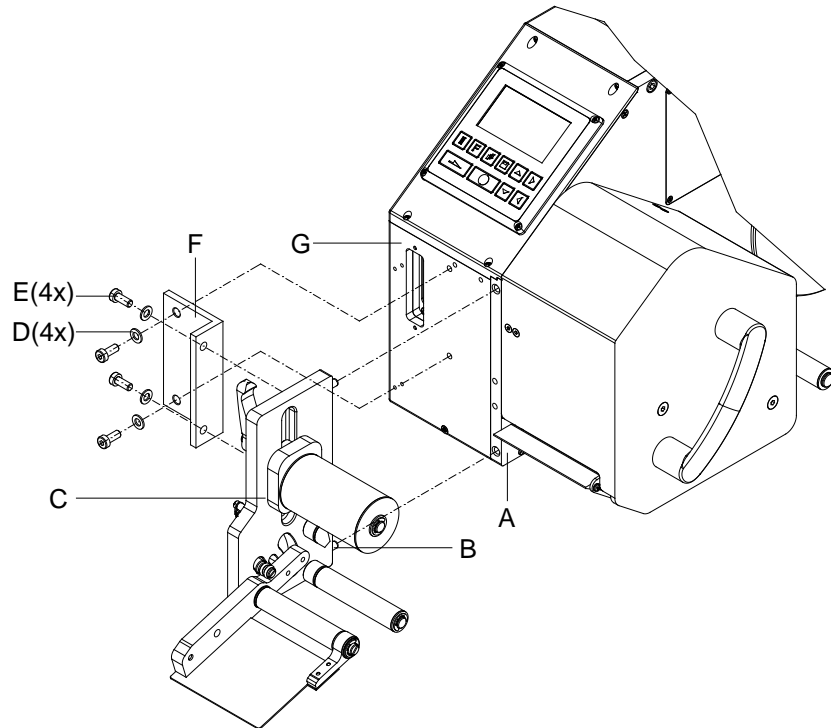
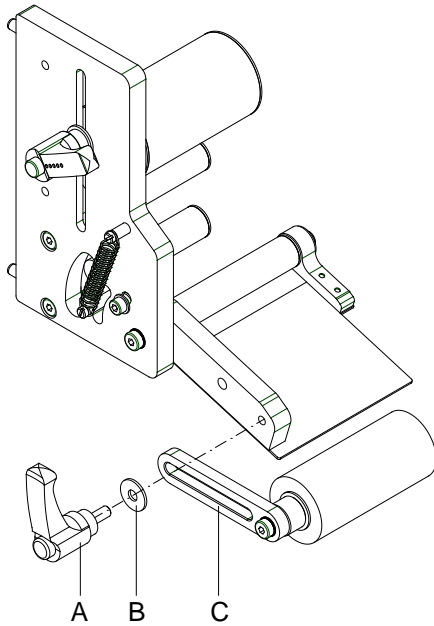


Figure 2

1. Insert the cylinder pins (B) on the wipe-on applicator into the intended drillings of the carrier plate (A) of the print system.
2. Attach the mounting angle (F) with washers (D) and screws (E) to the front plate (G) of the print system and the base plate (C) of the wipe-on applicator.

4.5 Installing the Pressure Roller (Optional)

**NOTICE!**

The figure of overview applies to wipe-on applicators WMX 5001 / 5101 / 5201 / 5301

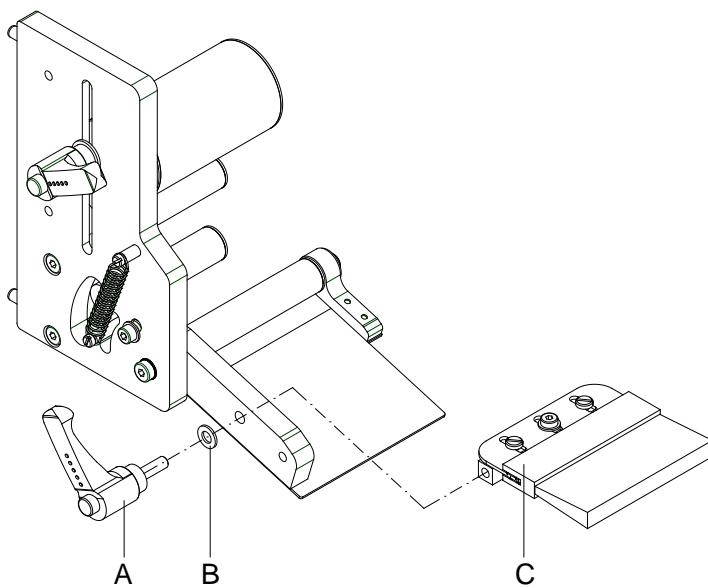
Fix the pressure roller (C) with washer (B) and clamping lever (A) to the wipe-on applicator.

Figure 3

4.6 Installing the Pressure Brush (Optional)

**NOTICE!**

The figure of overview applies to wipe-on applicators WMX 5001 / 5101 / 52001 / 5301.



Fix the pressure brush (B) with washer (B) and clamping lever (A) to the wipe-on applicator.

Figure 4

4.7 Inserting the Label Material



NOTICE!

The figure of overview applies to wipe-on applicators *WMX 5001 / 5101 / 5201 / 5301*.

Label run - Print system and wipe-on applicator

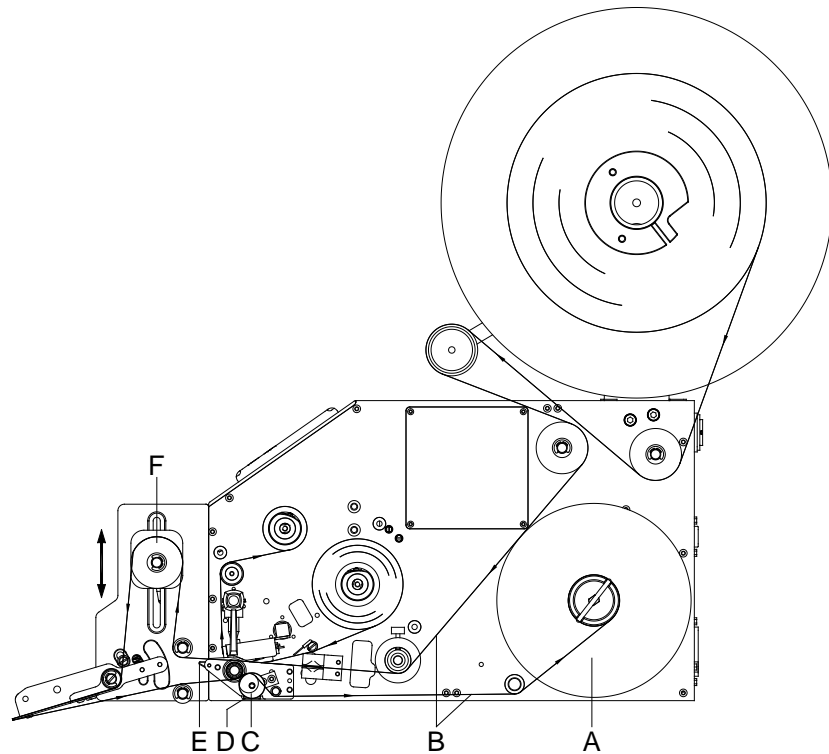


Figure 5

1. Insert the label material (B) according to the label run up to the dispenser edge (E) of the print system.



NOTICE!

For a detailed description for inserting material into the print system please refer to the chapter *Inserting Material* in the operating manual of the print system.

2. Move the return pulley (F) of the displacement unit upwards against the stop for a better positioning of the label material (see chapter 4.8, page 15).
3. Pull out the label material as long as it reaches to the backing paper rewinder (A).
4. Remove all labels from the pulled out label material.
5. Insert the backing paper in arrow direction into the wipe-on applicator. Guide the backing paper according to the operating manual of the print system to the rewinder (A).

4.8 Adjusting the Displacement Unit



NOTICE!

When changing the label height it is necessary to move the return pulley of displacement unit (F) in order to bring the beginning of the label material into a suitable apply position.

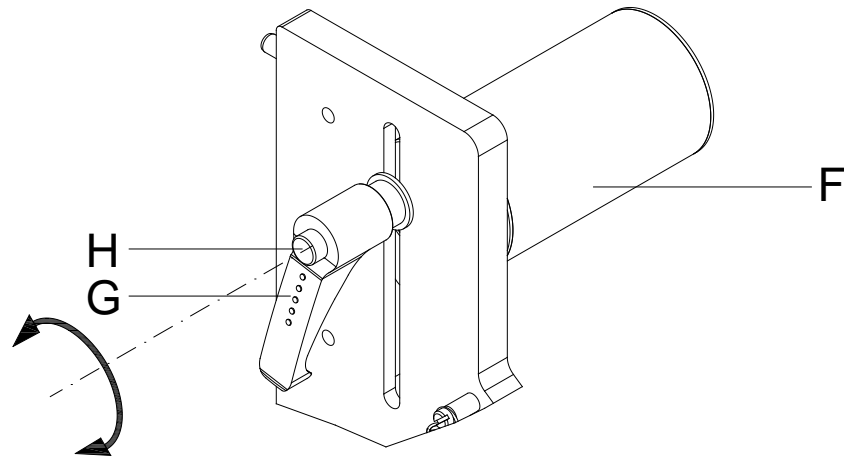


Figure 6



NOTICE!

The angle position of clamping lever (G) can be changed by pressing the disengaging knob (H).

1. Turn the clamping lever (G) against clockwise direction in order to loosen the return pulley of the displacement unit (F).
2. Push the displacement unit into the desired position.
3. Turn the clamping lever (G) in clockwise direction to tighten the return pulley of the registration unit (F).

5 Adjustments

5.1 Adjusting the Dispensing Angle



NOTICE!

The figure of overview applies to wipe-on applicators WMX 5001 / 5101 / 5201 / 5301.

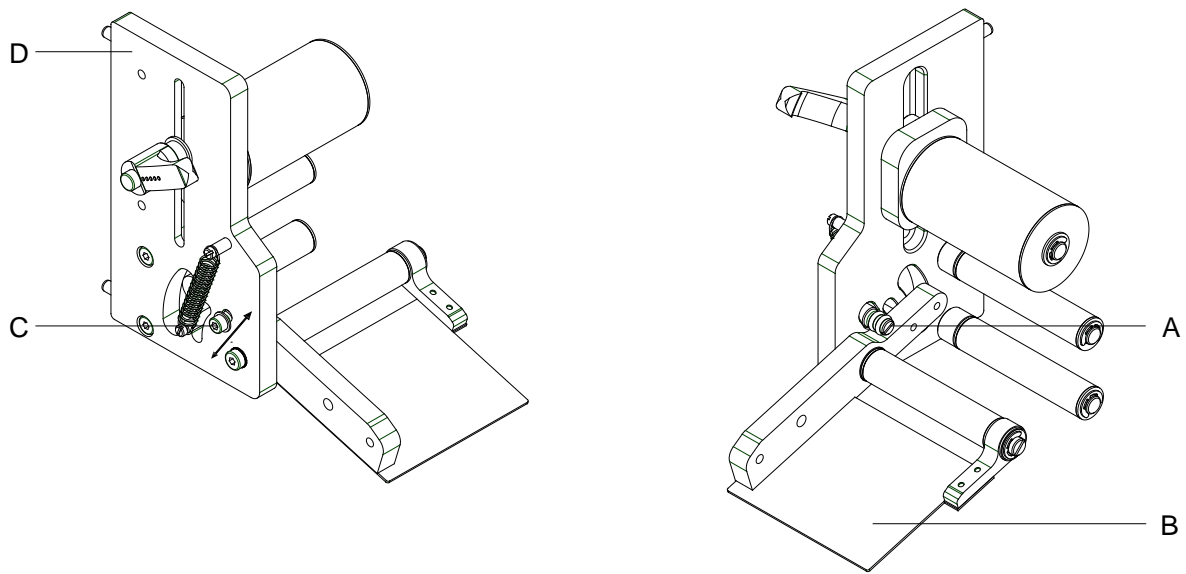


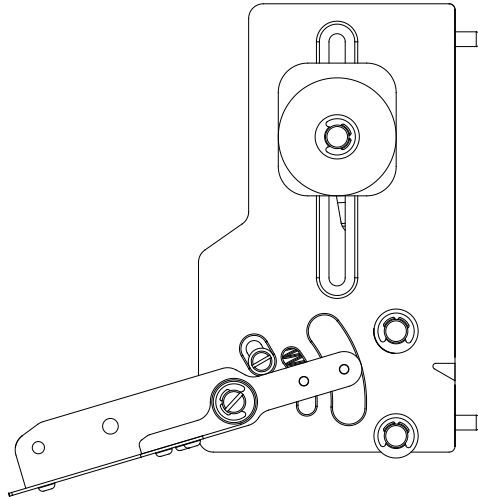
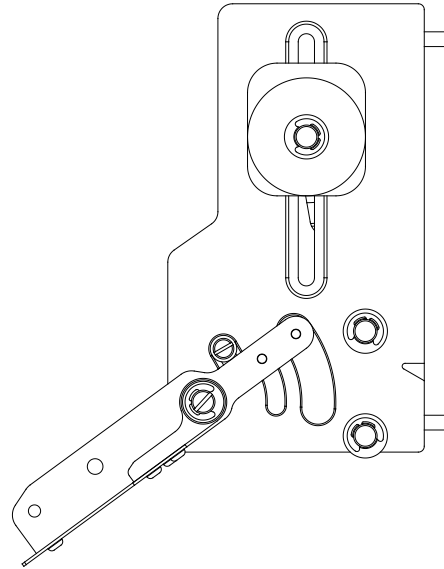
Figure 7

1. Move the dispensing rocker (D, Figure 5) forwards/upwards by pulling out the knurled knob (C, Figure 5).
2. Loosen the screw (C).
3. Change the angle position of dispensing edge (B) as required. For this shift the stop bolt (A) along the elongated hole in the base plate (D). Shift upward increases the dispensing angle and shift downward reduces the dispensing angle.
4. Fix the position of stop bolt by tightening the screw (C). If necessary insert a slotted screwdriver in the slot of the stop bolt (A) to facilitate the tightening of screw (C).



NOTICE!

With the stop bolt (A) the angle position of dispensing edge can be set between approx. 16 degrees and 36 degrees.

Minimum angle adjustment (16 degrees)**Maximum angle adjustment (36 degrees)****Figure 8**

5. Turn the internal rewriter (A, Figure 5) of the printing module as long as the backing paper is again tensioned.
6. Press the dispensing rocker (D, Figure 5) again upwards and engage.

5.2 Adjusting the Pressur Roller (Optional)



NOTICE!

The figure of overview applies to wipe-on applicators *WMX 5001 / 5101 / 5201 / 5301*.

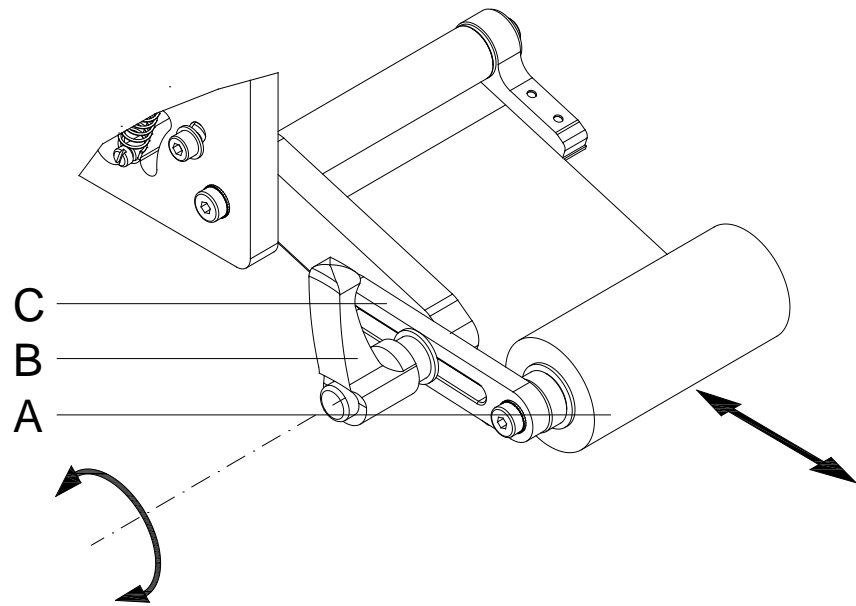


Figure 9



NOTICE!

The adjustments take place in depending on the label material and the product surface.

1. Loosen the clamping lever (B) to change the position of pressure roller (A).
2. Displace the pressure roller (A) along the oblong hole in the lever (C).
3. If necessary, change the angle position of the pressure roller (A) in the centre of rotation of the clamping lever (B).

5.3 Adjusting the Pressure Brush (Optional)

**NOTICE!**

The figure of overview applies to wipe-on applicators *WMX 5001 / 5101 / 5201 / 5301*.

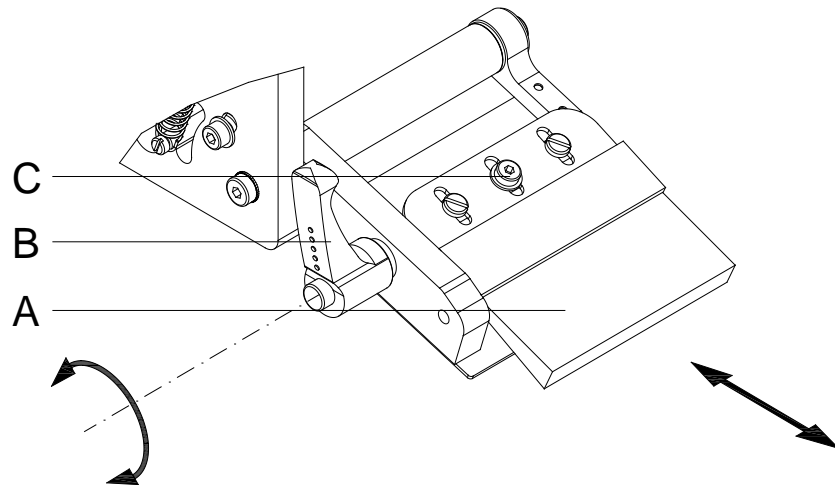


Figure 10

**NOTICE!**

The adjustments take place in depending on the label material and the product surface.

1. Loosen screw (C) to change the position of pressure brush (A).
2. Move the pressure brush (A) along the elongated holes. Displacement in dispensing direction increases the pressure. Displacement against the dispensing direction decreases the pressure.
3. Tighten the screw (C).
4. If necessary change the angle position of pressure brush (A) in the pivot axis of the clamping lever (B).

5.4 Adjusting the Labelling Position



NOTICE!

The figure of overview applies to wipe-on applicators *WMX 5001 / 5101 / 5201 / 5301*.



NOTICE!

In order to operate the print system with the wipe-on applicator in the dispensing mode, the dispensing offset must be set to 0.

For a detailed description for adjusting the dispenser offset, please refer to the chapter *Dispenser I/O* in the operating manual of the print system.

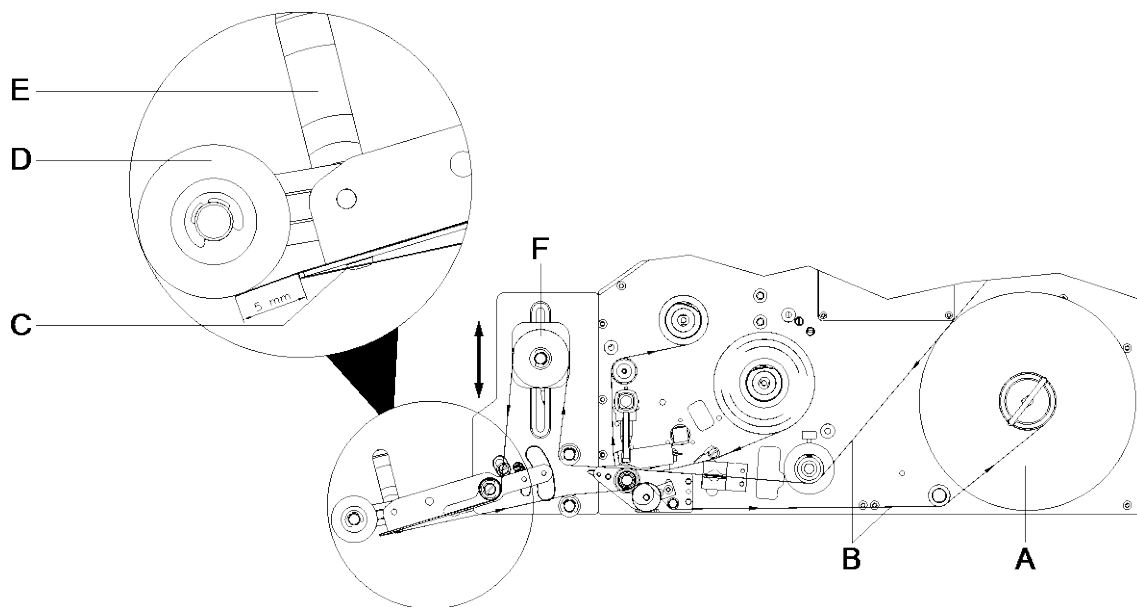



Figure 11

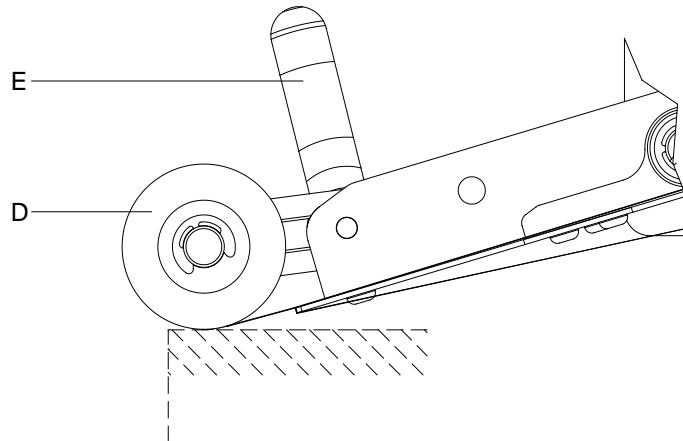
1. After correct inserting of the label material, press key  to activate a test print or start a measuring procedure to determine the exact position of the label beginning. Confirm the test print as long as a label is over the dispensing edge (C) of the wipe-on applicator.
2. Adjust the dispensing position in such a way that the regular remove of the label from the backing paper (B) is ensured.
3. Loosen the return pulley by turning the clamping lever (G, Figure 6) against clockwise direction and then shift it slowly downwards.
4. At the same time, turn the internal rewriter (A) to stretch again the backing paper (B). Repeat this procedure as long as the label which is to be applied is removed from the backing paper (C) and exceeds the dispensing edge (C) approx. 5 mm.

**NOTICE!**

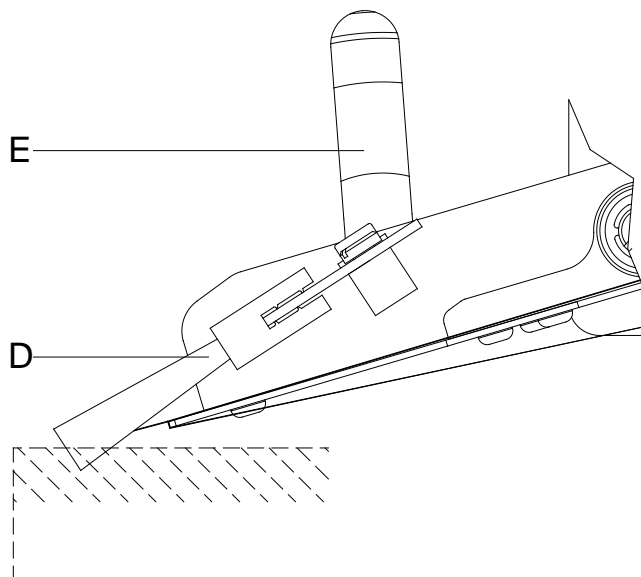
In order to stretch the backing paper (B) on the internal rewriter (A), before the dispenser rocker (D, Figure 5) must be moved forwards/upwards by pulling out the knurled knob (C, Figure 5).

When using the pressure roller

- Adjust the position of pressure roller (D) with the clamping lever (E) in such a way that the roller and the label touch themselves lightly. In this way the transfer of label to the product to be labelled is supported.

**Figure 12****When using the pressure brush**

- The pressure brush (D) is to be installed at a position at which the label and the product touch each other.

**Figure 13**

6 Options

6.1 Product Sensor

The 'product sensor' option is used for optical, contact-free registration of products in order to obtain input signals for the print system.

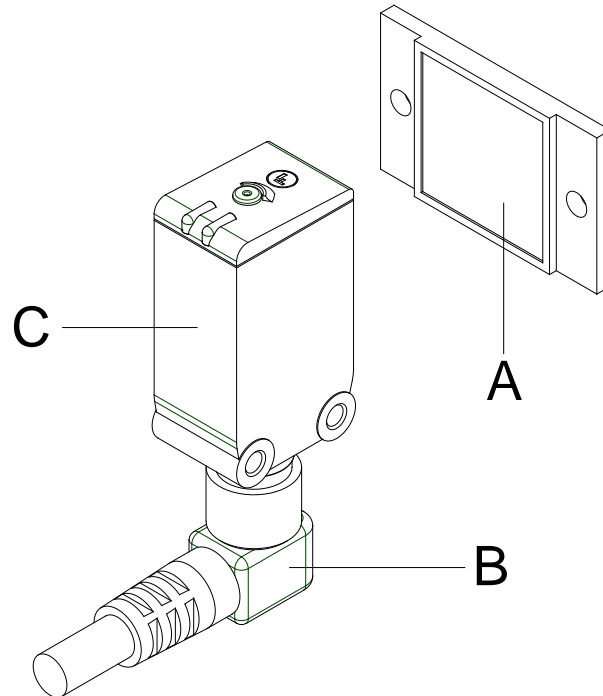


Figure 14

A = Reflector

B = Connecting line

C = Reflexion photocell

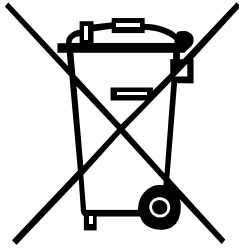


NOTICE!

When using reflection photocells, please observe that other light (e.g. working lamp) on the photocell is prevented.

1. Connect the connecting line (B) of the reflection photocell (C) to the I/O 24 interface.
2. Attach the reflector (A) at right angles with the reflection photocell (C).

7 Environmentally-Friendly Disposal



Manufacturers of B2B equipment are obliged to take back and dispose of old equipment that was manufactured after 13 August 2005. As a principle, this old equipment may not be delivered to communal collecting points. It may only be organised, used and disposed of by the manufacturer. Valentin products accordingly labelled can therefore be returned to Carl Valentin GmbH.

This way, you can be sure your old equipment will be disposed of correctly.

Carl Valentin GmbH thereby fulfils all obligations regarding timely disposal of old equipment and facilitates the smooth reselling of these products. Please understand that we can only take back equipment that is sent free of carriage charges.

Further information on the WEEE directive is available on our website www.carl-valentin.de.

8 Index

A

Adjustments

Dispensing angle WMX 5001 / 5101 / 5201 / 5301	17
Labelling position	21, 22
Pressure roller <i>WMX 5001 / 5101 / 5201 / 5301</i>	19
Pressure brush WMX 5001 / 5101 / 5201 / 5301	20

D

Dispensing angle, adjusting

WMX 5010 / 5110 / 5210 / 5310	17
-------------------------------------	----

Displacement unit, adjusting	15
------------------------------------	----

E

Environmentally-friendly disposal	25
---	----

F

Function	7
----------------	---

I

Installation

Connecting wipe-on applicator. WMX 5001 / 5101 / 5201 / 5301 ..	12
---	----

Displacement unit, adjusting	15
------------------------------------	----

Label material, inserting WMX 5001 / 5101 / 5201 / 5301	14
---	----

Pressure brush	13
----------------------	----

Pressure roller	13
-----------------------	----

Scope of delivery	11
-------------------------	----

Transducer, connecting	11
------------------------------	----

Unpacking	11
-----------------	----

Instructions	5
--------------------	---

Intended use	5
--------------------	---

L

Label material, inserting

WMX 5001 / 5101 / 5201 / 5301	14
-------------------------------------	----

O

Overview

WMX 5001 / 5101 / 5201 / 5301	8
-------------------------------------	---

P

Pressure brush

Adjusting WMX 5001 / 5101 / 5201 / 5301	20
---	----

Installation	13
--------------------	----

Pressure roller

Adjusting <i>WMX 5001 / 5101 / 5201 / 5301</i>	19
--	----

Installation	13
--------------------	----

Product designation	7
---------------------------	---

S

Safety Instructions	6
---------------------------	---

Scope of delivery	11
-------------------------	----

T

Technical data 9
Transducer, connecting 11

U

Unpacking 11

W

Wipe-on applicator, connecting 12



Carl Valentin GmbH
Neckarstraße 78 – 86 u. 94 . 78056 Villingen-Schwenningen
Phone +49 7720 9712-0 . Fax +49 7720 9712-9901
info@carl-valentin.de . www.carl-valentin.de